



BC

### SPECIAL FEATURES

- STAINLESS STEEL CASE & MEASURING SYSTEM
- SPECIALLY DESIGNED FOR CONTROL PANELS

### APPLICATIONS

PUMPS, HYDRO-CLEANING MACHINES, PRESSES, ENGINE COMPRESSORS, DIESEL ENGINES & CLEAN AIR.

### SPECIFICATIONS

#### STANDARD VERSION : 100 mm

Accuracy	: ±1.6% of F. S.
Ambient temperature	: - 20°C to + 65°C
Process temperature	: Max. 180°C
Operating pressure range	: 75% of Scale Value
Over pressure limit	: ≤ 100 bar : 125% of Max. Scale Value : > 100 to ≤ 600 bar : 115% of Max. Scale Value : > 600 to ≤ 1600 bar : 110% of Max. Scale Value

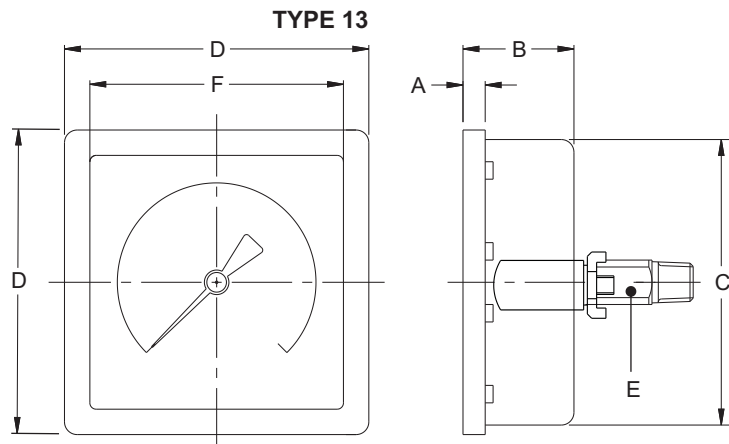
Case & Bezel	: AISI 304 SS (Crimped Type)
Socket	: AISI 316 SS
Bourdon	: AISI 316L SS
Movement	: AISI 304 SS
Joints	: Tig Argon Arc Welding
Enclosure Protection	: IP 55

Dial	: Aluminum, black graduation on white background
Pointer	: Aluminum, black Coloured, Fixed
Window	: Sheet Glass
Gasket	: Silicon rubber
Filling Plug	: Neoprene

**Temperature effect:**  
The variation of indication caused by effects of temperature is to be calculated by below formula; which is to be added in the specified accuracy while measurement :-  
Formula :  $\pm 0.04 \times (t_2 - t_1) \%$  of F. S.  
where  $t_1$  = reference temperature (+20°C) and  $t_2$  = ambient temperature in °C.



### DIMENSIONS - STANDARD VERSION



A	B	C	D	E	F	Weight in gram (With Box)
5	30	90	96.5	14	80	310.0

Notes : • Drawings are not to scale. • All Dimensions are in mm.

## RANGE TABLE

**Note :** Waaree offers Pressure, Vacuum and Compound ranges in Scales like kPa, MPa, bar, psi, kg/cm<sup>2</sup> & Dual Scale like kPa with psi, kPa with bar, bar with psi or scales as per the requirement can be provided on request. Following are the example tables for kg/cm<sup>2</sup> & psi scales

## PRESSURE, VACUUM &amp; COMPOUND RANGES

RANGE		PRESSURE RANGE		VACUUM & COMPOUND RANGE	
	0/15 psi	0/1 kg/cm <sup>2</sup>		- 30inHg / 0	-760 mmHg / 0
	0/30 psi	0/2 kg/cm <sup>2</sup>		- 30inHg/15 psi	- 1/1 kg/cm <sup>2</sup>
	0/60 psi	0/4 kg/cm <sup>2</sup>		- 30inHg /30 psi	- 1/2 kg/cm <sup>2</sup>
	0/100 psi	0/7 kg/cm <sup>2</sup>		- 30inHg /60 psi	- 1/3 kg/cm <sup>2</sup>
	0/150 psi	0/10 kg/cm <sup>2</sup>		- 30inHg /100 psi	- 1/6 kg/cm <sup>2</sup>
	0/220 psi	0/16 kg/cm <sup>2</sup>		- 30inHg /150 psi	- 1/9 kg/cm <sup>2</sup>
	0/300 psi	0/20 kg/cm <sup>2</sup>		- 30inHg /200 psi	- 1/15 kg/cm <sup>2</sup>
	0/400 psi	0/28 kg/cm <sup>2</sup>		- 30inHg /300 psi	- 1/20 kg/cm <sup>2</sup>
	0/600 psi	0/40 kg/cm <sup>2</sup>		- 30inHg /350 psi	- 1/24 kg/cm <sup>2</sup>
	0/1000 psi	0/70 kg/cm <sup>2</sup>			
	0/1500 psi	0/100 kg/cm <sup>2</sup>			
	0/2200 psi	0/160 kg/cm <sup>2</sup>			
	0/3000 psi	0/200 kg/cm <sup>2</sup>			
	0/4000 psi	0/280 kg/cm <sup>2</sup>			
	0/6000 psi	0/400 kg/cm <sup>2</sup>			

## HOW TO ORDER

## BASIC MODEL

## CODE

## NOMINAL SIZE

F

100 mm

## TYPE OF MOUNTING

13 DIRECT CENTER BACK ENTRY WITH MOUNTING BRACKET

## GAUGE CONNECTION

2BM 1/4" BSP(M) (Standard)

2NM 1/4" NPT(M) (Standard)

3BM 3/8" BSP(M)\*

2TM 1/4" BSPT(M)

\*Connection will be provided through adaptor.

**Note :** Connections like Metric/ PT/ PF/ Flaired/ UNF/ G/ R etc can be provided on request.

## RANGE

REFER RANGE TABLE

## OPTIONAL EXTRAS

RH CUSTOM DESIGNED DIAL

SX SS TAG PLATE

SG OXYGEN SERVICE (WITHOUT DAMPENING LIQUIDS)

TB HELIUM LEAK TEST

PW FIVE POINT CALIBRATION CERTIFICATE

QB INTEGRAL DAMPENING SCREW (AISI 316 SS)

SW DIAL TAG MARKING

**Ordering Example: BC - X - XX - XXX - 0/10 kg/cm<sup>2</sup> - XX**

FOR OTHER OPTIONAL ITEMS, PLEASE CONTACT FACTORY FOR DELIVERY AND MINIMUM QUANTITY OF ORDER.

**Note :** Specifications and dimensions given in this product catalogue represents the state of engineering at the time of printing.

Modifications may take place and materials specified may be replaced by others without prior notice.